

Freezeless Roof Hydrant Model RHY1



The Woodford RHY1 provides water availability for window washing, cleaning of condenser coils, cooling towers and other types of roof equipment. Valve body of hydrant is drilled and tapped with 1/8" drain hole which must be piped to a drain location.

The RHY1 allows for installation flexibility since it is not necessary to install hydrant when hydrant support is mounted to the roof. The hydrant support utilizes a 3" opening that allows the hydrant to be installed later if desired. All necessary mounting hardware for proper installation on a commercial roof is supplied, including a 2 degree shim for pitch adjustment.

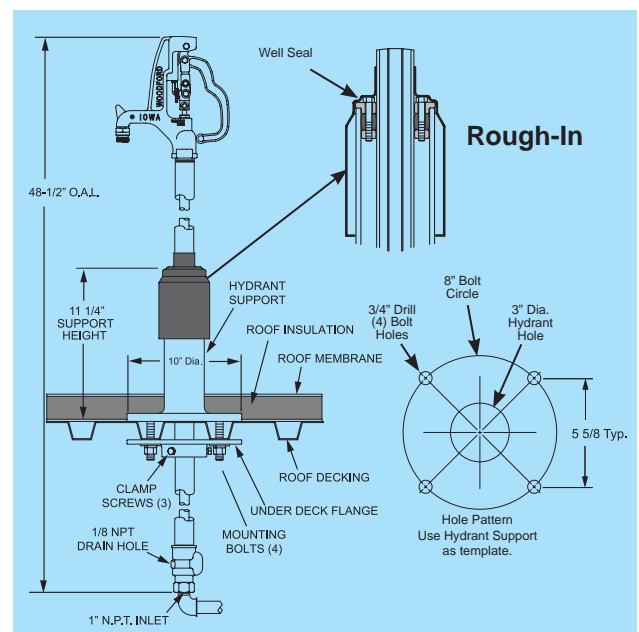
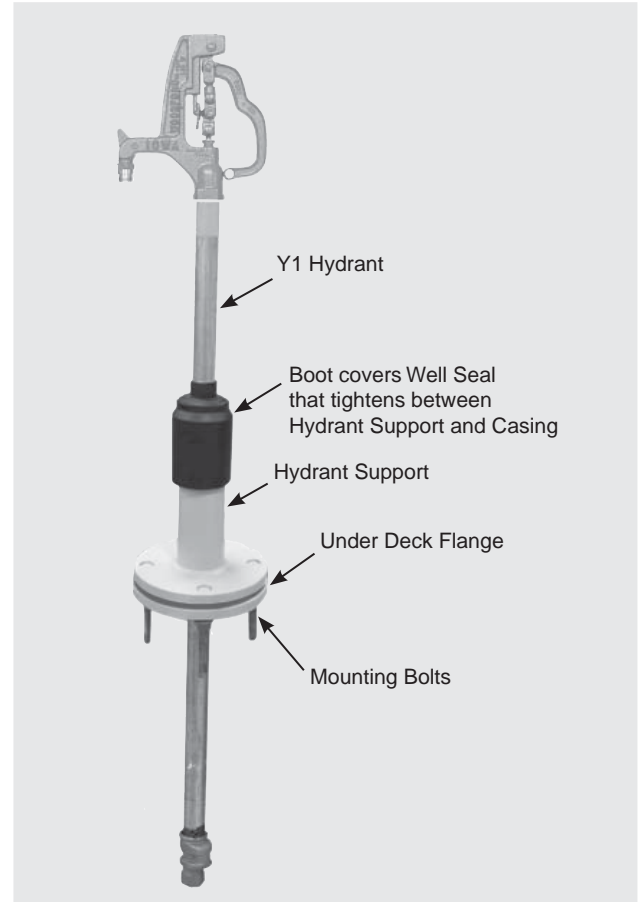
Hydrant Features:

- **Rod Guide** - Eliminates side pull on rod, reduces wear on packing, packing nut & stem.
- **Adjustable Link** - Provides easy and positive adjustment of the lever lock tension.
- **One Piece Variable Flow Plunger** - Large cushion type seal for longer life-is not easily damaged and assures shut-off even when foreign particles are present.
- **Maintenance & Repair** - All repairs can be made from top of unit without removing hydrant. Parts are readily available.

Specifications:

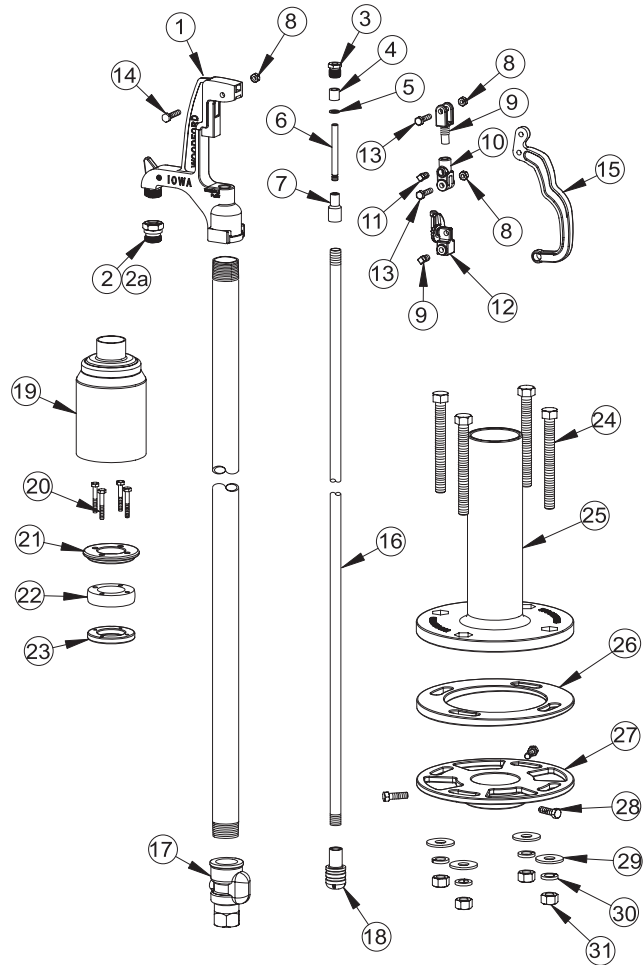
- 1" NPT Female inlet
- 3/4" Brass hose nozzle
 - *Optional at Additional Cost: 1" brass hose nozzle*
- 1 1/4" Galvanized pipe
- 1/8" NPT drain hole - *(Must be piped to a drain location)*
- Cast iron hydrant support components
- Well seal tightens between hydrant support and hydrant pipe
- EPDM boot to cover well seal and top of hydrant support
- 2° shim supplied-for installation on pitched roofs if needed
- **Maximum Working Pressure:** 125 p.s.i.
- **Maximum Temperature:** 120° F

Patent Pending



WOODFORD**MODEL RHY1 PARTS LIST**

ITEM	PART#	DESCRIPTION
	15244	RHY1 Head Assembly (Includes items 1-15)
1	10611	RHY1 Head
2	10004	3/4" Brass Hose Nozzle
2a	10007	1" Brass Hose Nozzle (Optional)
3	10100	Packing Nut
4	10101	Packing
5	10102	Packing Support Washer
6	10104	Brass Rod Stem
7	10011	Reducing Coupling
8	10206	Hex Nut (3)
9	10614	RH Upper Link
10	15242	RH Lower Link (Includes Item 9)
11	10019	Set Screw (2)
12	15243	RH Cam & Clevis Assembly
13	10020	Link Bolt (2)
14	10021	Lever Bolt
15	10613	RH Lever
16	10023	Operating Pipe (35-1/2" Long)
17	10017	Valve Body (1" NPT Inlet)
18	10106	Plunger
19	10608	Boot, EPDM 1 1/4" Pipe
20	10606	Bolt, Hex Head 1/4-20 X 1 3/4" (4)
21	10582	Well Seal, Top
22	10609	Well Seal, EPDM
23	10583	Well Seal, Bottom
24	10584	Bolt, Hex Head 5/8-11 X 6" (4)
25	10579	Hydrant Support, Casting
26	10581	2° Shim, Casting
27	10580	Under Deck Flange
28	10607	Screw, Clamp 3/8-16 Hex Head X 1 3/4" (3)
29	10604	Washer, Plain 5/8 (4)
30	10605	Washer, Lock 5/8 (4)
31	10585	Nut, Hex 5/8-11 UNC (4)
	RK-Y1	Repair Kit (Includes items 3-6 & 18)
	RK-RHL	Repair Kit - Gray (Includes items 8-14)



When ordering, specify RH part number option listed below.

Part# RHY1-MS

Consists of the complete Roof Hydrant system:

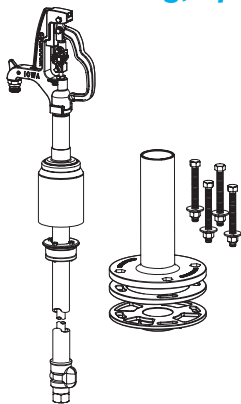
Qty. 1 RHY1

Y1 Hydrant shipped in 1 carton.

Qty. 1 RH-MS

Mounting System shipped in 1 carton.

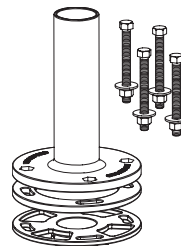
Total Shipping Wt.
2 cartons: 50 lbs

**Part# RH-MS**

Carton contents consists of:
Mounting System/
Rough-In Components
(Parts 24-31 above)

- Hydrant Support
- 2° Shim,
- Under Deck Flange
- Mounting Bolts.

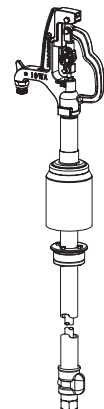
Shipped in 1 Carton.
Shipping Wt. - 30 lbs

**Part# RHY1**

Carton contents consists of:

- Y1 Hydrant Assembly (Parts 1-18 above)
- Well Seal (Parts 20-23 above)
- Boot (Part 19 above)

Shipped in 1 Carton.
Shipping Wt. - 20 lbs



For more information contact...

WOODFORD MANUFACTURING COMPANY

2121 Waynoka Road, Colorado Springs, Colorado 80915 • Phone: (800) 621-6032 • Fax: (800) 765-4115

To view our complete product line visit: www.woodfordmfg.com or email: sales@woodfordmfg.com

A Division Of WCM Industries, Inc.